

INTRODUCTION

Thank you for purchasing ParaGrafix's photoetch set for the classic Leif Ericson / Interplanetary UFO Mystery Ship from AMT.

Materials

In addition to the photoetch, you will also need scissors or a knife* to remove individual pieces from the main fret, a file to remove material left from cutting, and super glue (aka CA or cyanoacrylate). Although we have made every effort to ensure that parts that are folded do not require special tools (pair of razor blades** or a specialty tool such as an Etchmate 3C from Mission Models), you may find that using one of these tools may make assembly easier.

* We prefer a #17 Xacto chisel blade.

** Extreme care must be taken when using razor blades. Risk of serious injury.

Raised Detail

There are some areas where raised kit detail must be removed. This may be done in whatever way you are most comfortable: sanding, filing, chiseling. Note that in most cases the surface does not need to be perfectly smooth as the photoetched part will replace the "lost" kit detail.

Lighting Options

Unless otherwise noted, you can prep areas for lighting by removing plastic from areas where there are through holes in the photoetch. You can then backlight the photoetch. For best results, we suggest using Micro Kristal Klear from Microscale Industries (www.microscale.com) to fill the through holes. MKK can be tinted for different colored lights.

Key

Kit part (plastic):



Photoetched part:



Shuttlecraft Hangar

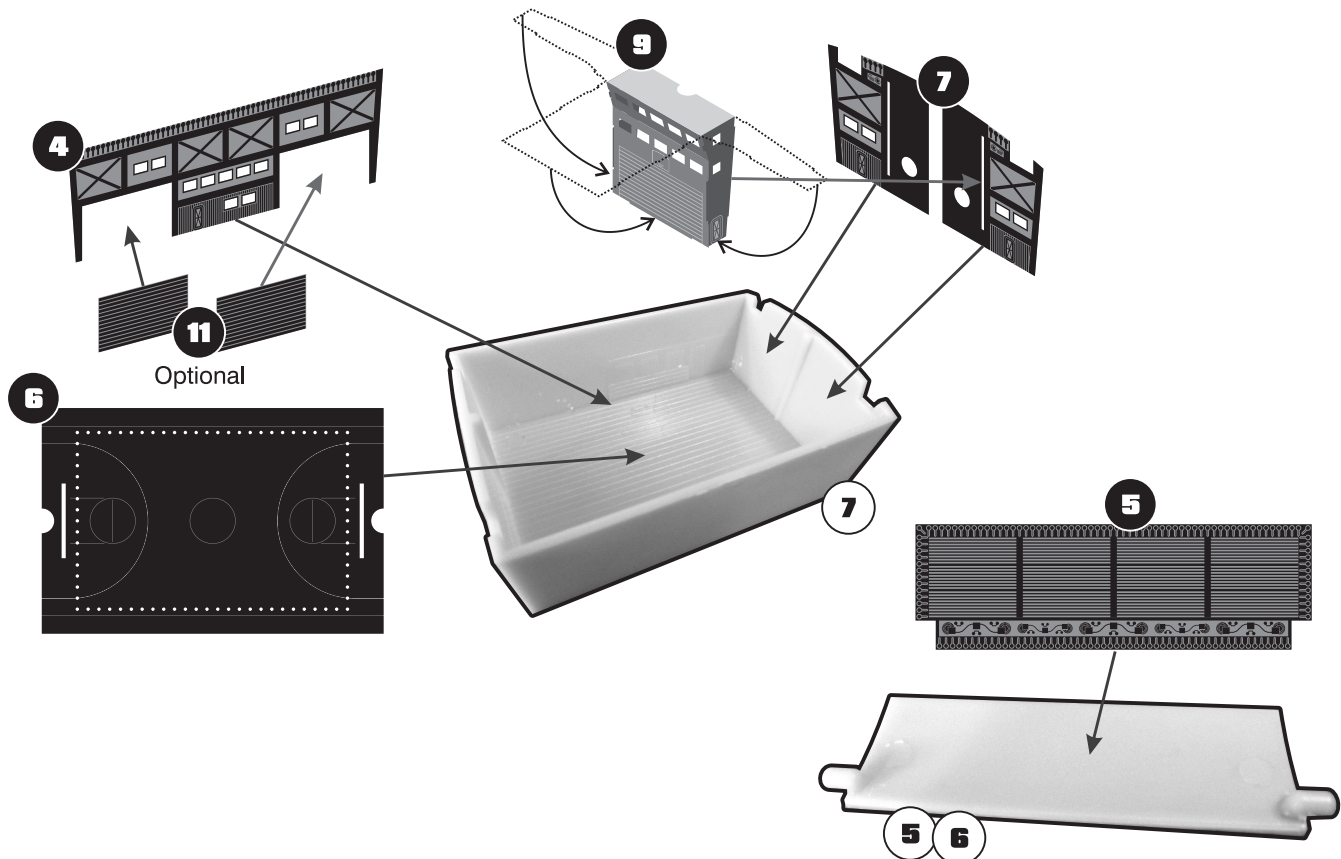
To ensure a proper fit, remove the raised detail from the side walls of kit part 7. (Do not remove the half-round parts on the end walls as these are the door stops.)

If lighting the windows, remove plastic where the windows will be before applying the photoetch. The round holes in etch part 7 are sized for 3mm LEDs.

Also note that the doors (11) are optional so that you can scratch build rooms behind them.

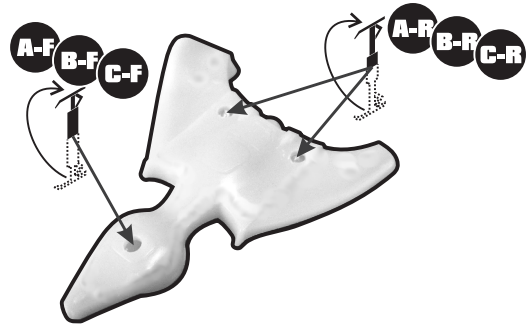
Repeat the installations shown below twice for all parts except the floor (etch part 6).

The door inserts (etch parts 5) may be rounded to fit the shape of the doors, or left flat.



Shuttle Craft

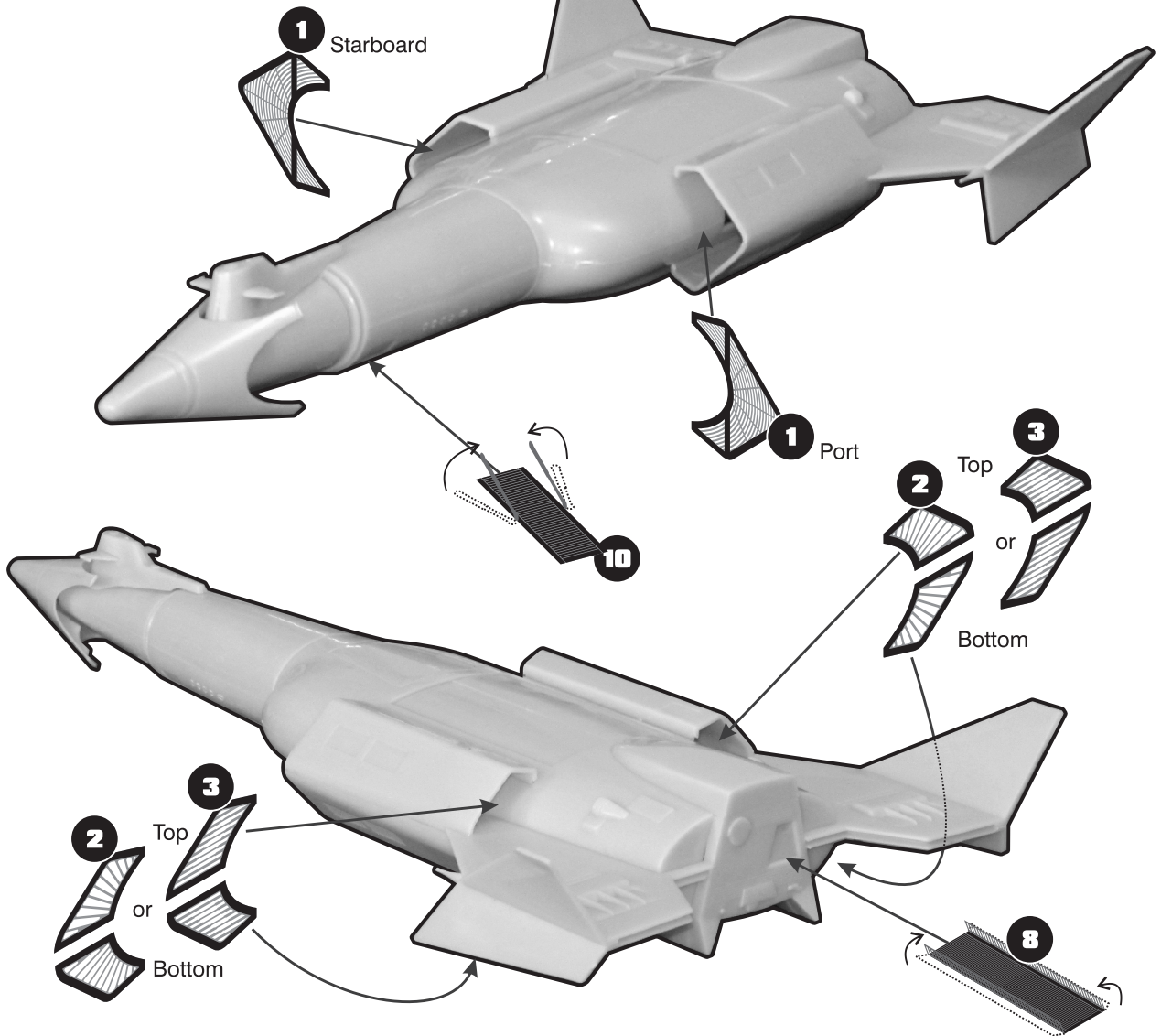
Choose a landing gear style (A, B, or C). Fold each piece in half so that the detail shows on the outside, and insert into the kit's holes. Note that the "F" gear are for the forward hole and the "R" gear are for the rear holes.



Engine Cowlings

The engine cowlings are marked on their backs with which location they are intended for. Use either cowlings 2 or 3 for the rear portion of the engines.

Note the fold line in the front cowlings. This allows the two parts to be slightly bent to follow the front contour of the engines.



Ramps

If the Leif Ericson is to be displayed as landed, ramps 8 and 10 may be used. Fold as shown, and attach at the rear and forward hatchways, respectively.