

# THE MERCURY 9 ROCKET

## Photoetch Set

**PGMS**  
**ParaGrafix™**  
**Modeling Systems**

### INTRODUCTION

Thank you for purchasing ParaGrafix's photoetch set for the Pegasus Hobbies Mercury 9 Rocket.

### Materials

In addition to the photoetch, you will also need scissors or a knife\* to remove individual pieces from the main fret, a file to remove material left from cutting, and super glue (aka CA or cyanoacrylate). While we have made every effort to ensure that all pieces can be folded with finger pressure, you may want to consider using a pair of razor blades\*\* or a specialty tool such as an Etchmate 3C from Mission Models.

\* We prefer a #17 Xacto chisel blade.

\*\* Extreme care must be taken when using razor blades. Risk of serious injury.

### Key

Kit part (plastic): **1**

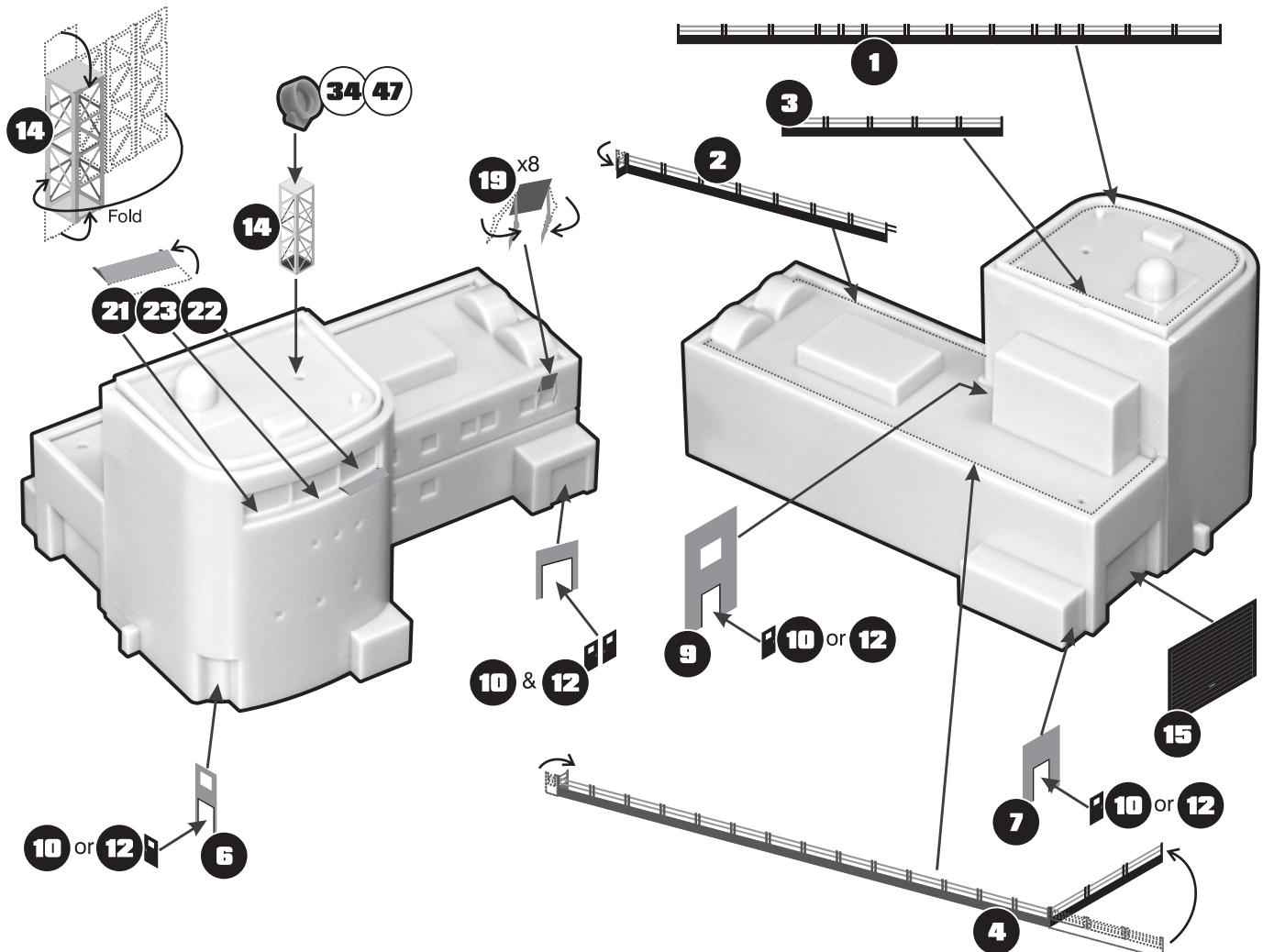
Photoetched part: **1**

## Kit Assembly Step 1

### Command Center Building

Assemble the Command Center per the kit instructions, except leave off part 33 as it is replaced by etch part 14 as shown. Note that most of the doors (etch parts 10 & 12) can be installed as opening in either direction - we have left them as separate parts from the frames so that you can cut away the plastic behind them and model the doors open if you want.

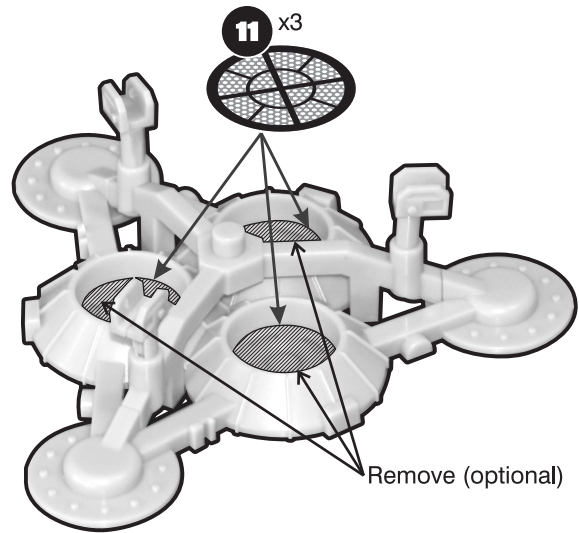
The "blast shields" (etch parts 19 and 21 through 23) can be installed to look like shutters, as shown. Leaving the large shutters (21-23) with a slight gap can help give the impression that they have folded down, scissor-style.



## Kit Assembly Step 2

### Launch Platform

The three blast grills (etch parts 11) fit at the bottom of the trenches as shown. If desired, you can cut out the bottoms of the trenches before adding the grills to enhance the appearance that these suck away the rocket exhaust.



## Towers

These two towers can be placed anywhere within the diorama that you'd like.

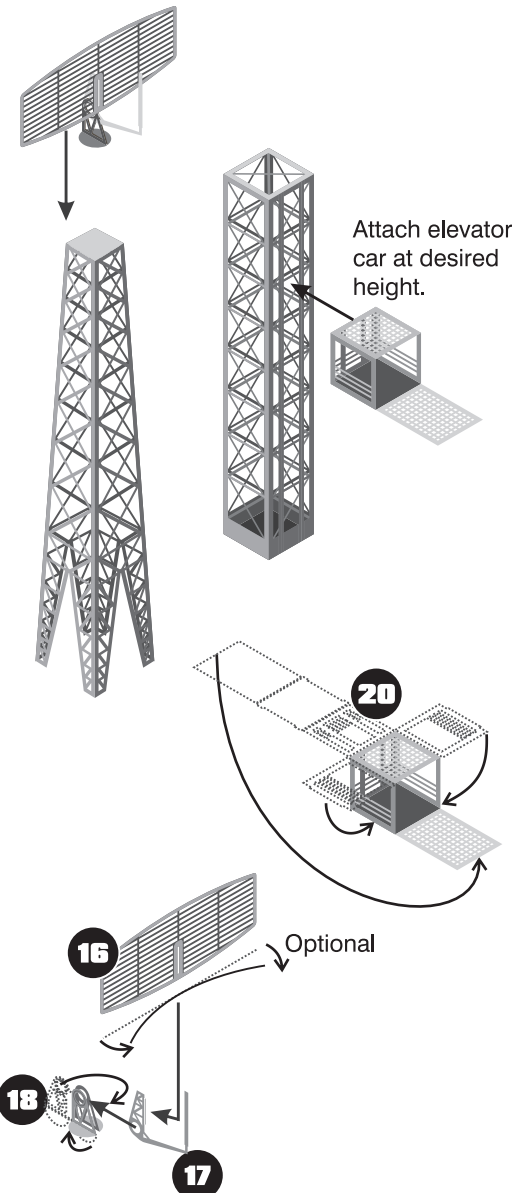
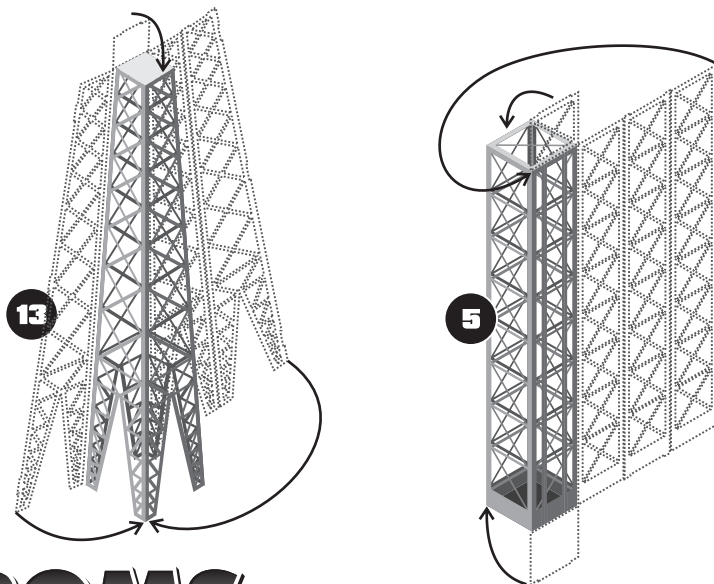
### Gantry

The launch gantry consists of two parts: the tower (etch part 5) and the elevator car (etch part 20). Fold both parts as shown below and attach so that the "tracks" on each line up. Note that the car can be attached at any height, and the "boarding ramp" can open (horizontal) or closed (vertical). (Don't try to bend the ramp too many times or it will snap off.)

### Radar Antenna

Fold the tower (etch part 13) and assemble the dish antenna (etch parts 16, 17 & 18). Note the holes in parts 17 & 18 - if desired, a piece of 1/16" (1.5mm) rod can be inserted through them to act as a hinge pin.

Optional: For an even more realistic look, roll the dish antenna reflector (16) slightly about the vertical axis. (The other portions of the antenna are not designed to allow the reflector to be vent about the horizontal axis.)



**PGMS**  
**ParaGrafix**<sup>TM</sup>  
**Modeling Systems**

148 Rocklawn Ave.  
Attleboro MA 02703 USA  
+1 508-431-9800  
www.ParaGrafix.biz

Copyright © 2011 Paul H. Bodensiek. All rights reserved.  
ParaGrafix<sup>TM</sup> and PGMS<sup>TM</sup> are TM Paul H. Bodensiek.