

# THE MOONLANDER SPACECRAFT



PGX209

ParaGrafix states that our use of the trademarked terms listed below in our product descriptions constitutes fair use and nominative use and is in no way to offer confusion that ParaGrafix and any of the following noted trademark holders are related companies, nor do we state that we are endorsed by these trademark holders. We are an AFTERMARKET company acting in GOOD FAITH in providing high quality products to loyal customers who have already purchased products related to these trademarks. ParaGrafix is actually providing these trademark holders a venue of free advertising and indirectly provide these trademark holders with more sales leads. Pegasus Hobbies® is a registered trademark of Pegasus Hobbies. All rights reserved.

## INTRODUCTION

Thank you for purchasing ParaGrafix's photoetch set for Pegasus Hobbies Moonlander kit. This set enhances details and provides our own interpretation of parts to bring the proposed ship to life.

### Materials

In addition to the photoetch, you will also need scissors or a knife\* to remove individual pieces from the main fret, a file to remove material left from cutting, and super glue (aka CA or cyanoacrylate). Additionally, to fold some pieces, you will need a pair of razor blades\*\* or a specialty tool such as PhotoFold from ParaGrafix.

\* We prefer a #17 Xacto chisel blade.

\*\* Extreme care must be taken when using razor blades. Risk of serious injury.

### Lighting Options

Unless otherwise noted, you can prep areas for lighting by removing plastic from areas where there are through holes in the photoetch. You can then backlight the photoetch. For best results, we suggest using Micro Kristal Klear from Microscale Industries ([www.microscale.com](http://www.microscale.com)) to fill the through holes. Use MKK even if you will be using the ParaGrafix decals PGX114, as this will give the decals some support. Alternatively, MKK can be tinted for different colored lights.

### Installation Parts Order

The installation steps are not in any particular order. You can complete them as you see fit to complement your kit construction order.

### Key

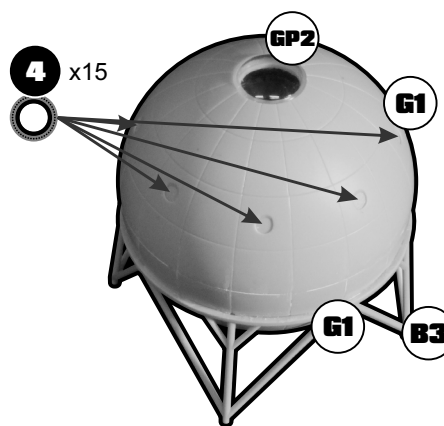
Kit part (plastic): **1**

Photoetched part: **1**

## Personnel Sphere

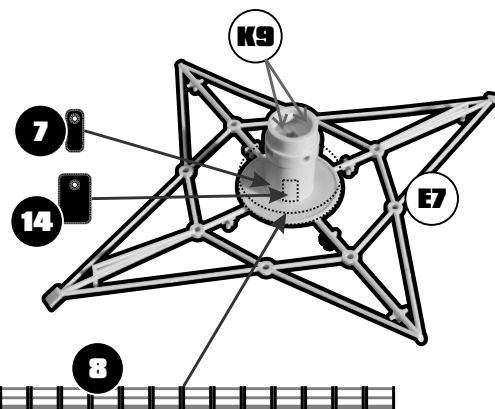
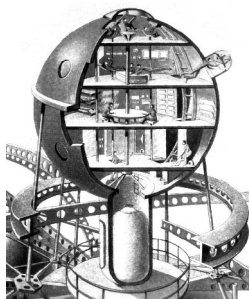
**NOTE:** The personnel sphere is shown assembled with its mounting legs. You will likely find it easier to do this step before assembly.

If you are lighting the living area, drill out each of the 15 window locations before fitting the photoetched window frames in place. Don't forget the windows on the sphere's "southern" hemisphere.



## Airlock and "Porch"

The circular platform directly below the personnel sphere surrounds the ship's airlock. Etch parts 7 and 8 are airlock doors\* and 8 is a railing. Mount 1 or more doors on the airlock (kit parts K9) and wrap the railing around the platform, mounting the thick lower section of the railing to the outside edge of the platform. Extra doors are included for placing on the cargo pod. You can place some of the figures around the "porch".



\* The two different sized doors are based on the two types of crewmembers included. Type one represents the astronauts from the classic film "Destination Moon" while the other represents the early 1960s "moon suit" concept by Grumman.



"Destination Moon" astronauts

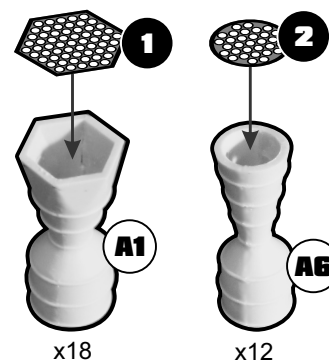


Grumman "Moon Suit" astronauts.

## Rocket Nozzles

Many early concepts for large rockets used clusters of very small rocket nozzles. These additions to the kit rocket nozzles pay homage to those early designs.

Attach etch parts 1 to the hexagonal rockets, kit parts A1. Attach etch parts 2 to the circular rockets, kit parts A6.

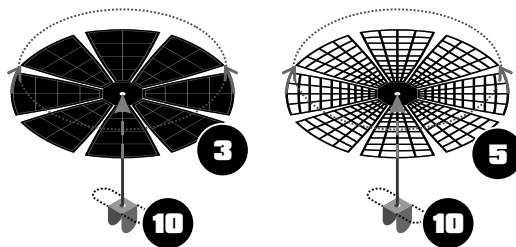


## Dish Antennae

Two different styles of dish antenna are included with the set – a standard solid antenna and an open mesh one. Which you use is up to you.

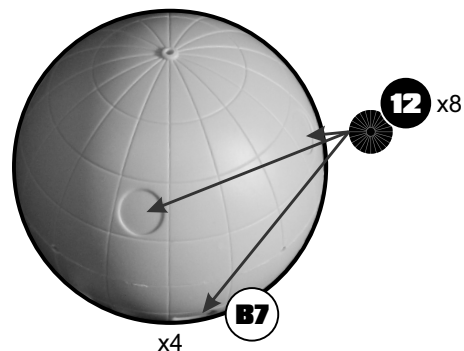
To assembly, gently roll the antenna to that the edges of each “pedal” meets the edge of each adjacent one and glue in position. Please note that the open mesh antenna will likely disintegrate if you decide to use flame annealing, so if you decide to anneal the antenna, use an electric stove-top type element.

Attach the antenna mount, 10, and then attach the receiver (kit part E1) and arm (kit part K4) per the kit instructions.



## Departure Tank Temperature Regulators

According to the original schematics of the Moonlander, the four large Earth departure tanks have a bunch of temperature regulators mounted on them. Etch parts 12 represent these regulators.



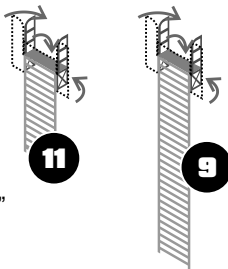
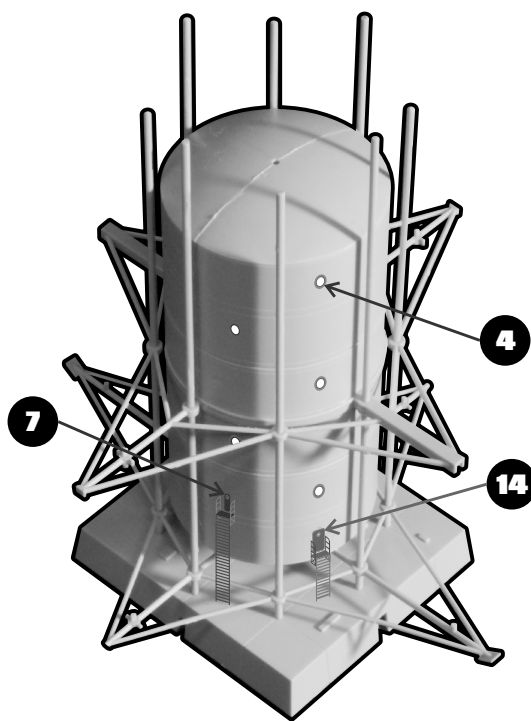
## Cargo Pod

The cargo version of the Moonlander replaces the return fuel tanks with a series of large cargo pods. This cargo ship carries supplies for the fledgling colony and the individual “floors” can be removed by crane and deposited on the lunar surface for easy access to the booty within.

### What If?

A third variant of the ship, though not supported by any evidence, would be a lunar habitat where the cargo pod is modified to serve as living quarters. To support this theoretical design, this photoetch set includes additional airlock doors, windows, and ladders that can be added to the pod. If lighting the pod, drill out where the windows will go before attaching them.

The positions shown at right are suggestions only. Feel free to place ladders, hatches, and windows wherever you'd like.



“Destination Moon”  
astronauts



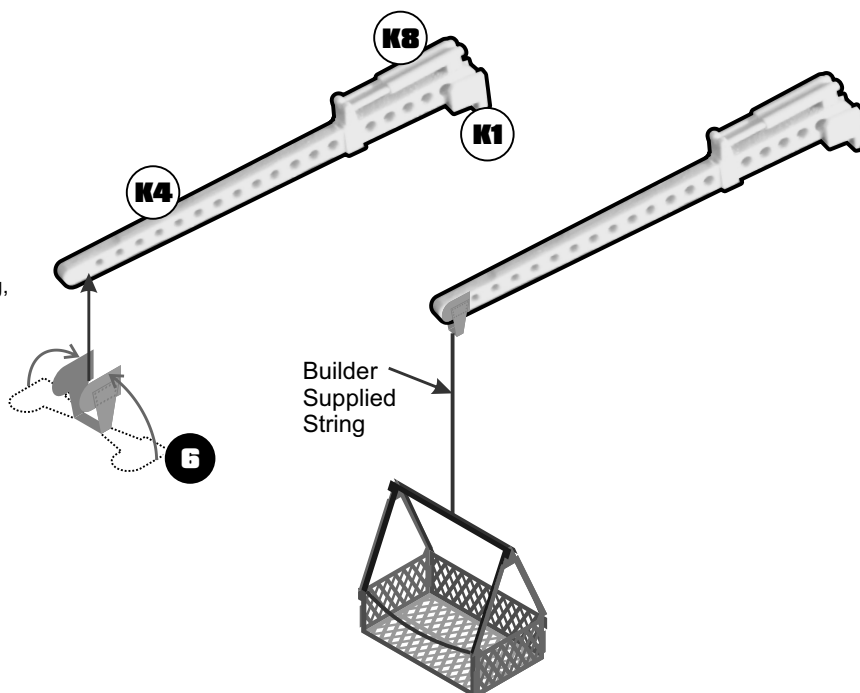
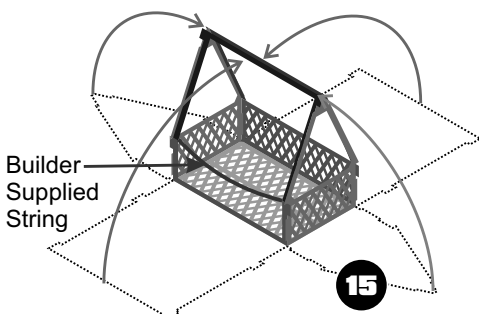
Grumman “Moon Suit”  
astronauts.

## Crew / Cargo Lift

Fold the lift cage (15) and winch attachment (6) as shown. Attach the winch to one of the kit gantries (assembly of K1, K4, and K8).

Use fine string, thread, or wire to make a “gate” for the lift.

Mount the gantry to the kit's Radio Antenna / Solar Mirror Track (parts F1 and F2) per the instructions, then attach the cage to the winch using more string, thread, or wire.



**PARA  
GRAFIX™**

148 Rocklawn Ave.  
Attleboro MA 02703 USA  
+1 508-431-9800  
www.ParaGrafix.biz

Many thanks to Larry Thompson of Pegasus Hobbies for supplying a copy of the Moonlander kit for the development of this photoetch set.