

discovery XD-1 pod bay photoetch set

**PARA
GRAFIX**
PGX211

ParaGrafix states that our use of the trademarked terms listed below in our product descriptions constitutes fair use and nominative use and is in no way to offer confusion that ParaGrafix and any of the following noted trademark holders are related companies, nor do we state that we are endorsed by these trademark holders. We are an AFTERMARKET company acting in GOOD FAITH in providing high quality products to loyal customers who have already purchased products related to these trademarks. ParaGrafix is actually providing these trademark holders a venue of free advertising and indirectly provide these trademark holders with more sales leads. 2001: A Space Odyssey and all related characters and elements © & ™ TEC. (s17)

INTRODUCTION

Thank you for purchasing ParaGrafix's photoetched pod bay for Moebius Models' kit of the USS Discovery from Kubrick's classic "2001: A Space Odyssey". This set is fairly easy to assemble, but some experience working with photoetched parts is suggested.

Key

Kit part (plastic):

1

Photoetched part:

1

Materials

In addition to the photoetch, you will also need scissors or a knife* to remove individual pieces from the main fret, a file to remove material left from cutting, and super glue (aka CA or cyanoacrylate). Additionally, to fold some pieces, you will need a pair of razor blades** or a specialty tool such as PhotoFold from ParaGrafix.

* We prefer a #17 Xacto chisel blade and a glass cutting board, or similar hard, unyielding material.

** Razor blades are extremely sharp. Handle with care.

Lighting Options

For best results, we suggest using Micro Kristal Klear from Microscale Industries (www.microscale.com) to fill the through holes. MKK can be tinted for different colored lights.

Extended Pod Platform Option

If you would like to display a pod platform in the extended position, you will need square brass tubing from Albion Alloys (not included). You will need 1.6mm (part number SSB1M) and 2.4mm (part number SSB2M). These nest together and can slide in/out.

Installation Parts Order

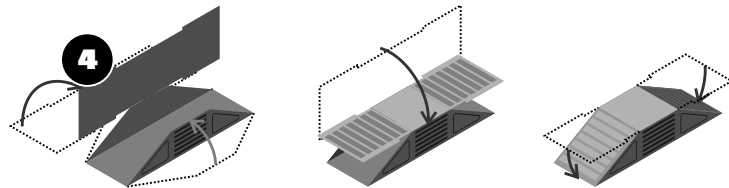
The installation steps are not in any particular order. You can complete them as you see fit to complement your kit construction order.

Detail Pieces

Air Conditioning Vents

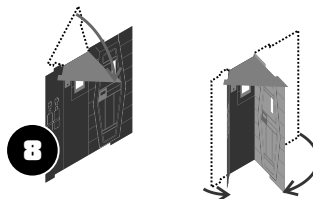
Fold up the four air conditioning vents (etch parts 4) as shown and set aside.

Note: this piece is shown upside down from its installed orientation.



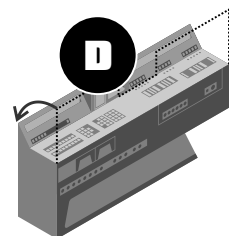
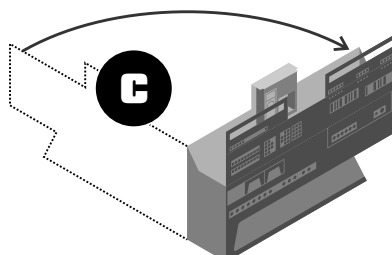
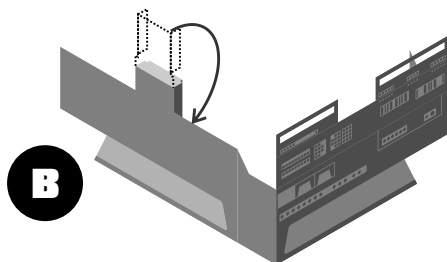
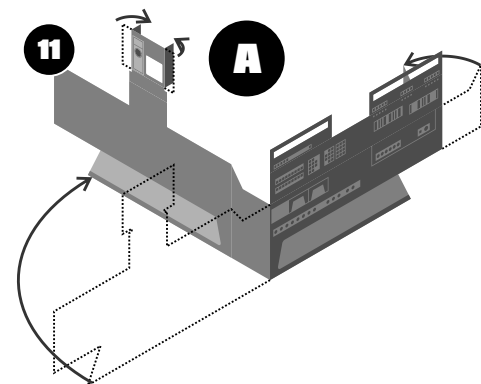
Airlock Alcove

Fold etch part 8 as shown and set aside.



Test Bench

Fold etch part 11 as shown in steps A through D, then set aside



Pod Platforms

Assemble Pod Platforms – repeat 3 times

Fold the sidewalls of etch part #1 up and the 4 inner tabs down. (You may leave the tabs in their unfolded position on any platforms that you will be building as static.) Bend the two front sidewall “wings” so that they meet the rear sidewalls.

Attach etch parts 3, 6, and 10 as shown. Note the orientation of the parts – the outside edges of etch part 3 should be flush to the edge of the completed

Static Pod Platform Option

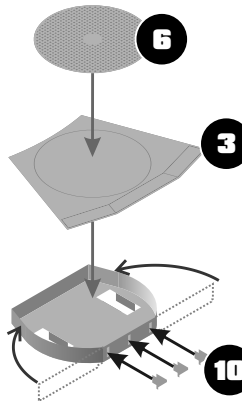
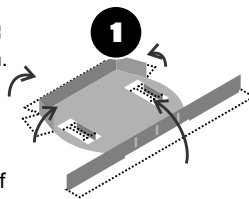
NOTE: Because of the geometry of the Pod Bay, only one platform can be setup to be extendable. The other two will have to be installed static using the mounts (etch parts 2).

Attach etch part 2 so that the back end just touches the back of the pod platform base (etch part 1) and there is minimal overlap with the platform (etch part 3).

Superdetailing: For a more accurate look, cut two 3/4" (19 mm) length of 1.6mm Albion Alloys square brass tube and mount between the tabs on the underside of the platform. Attach the tubing so that the end is flush with the end of the tabs.

Extended Pod Platform Option

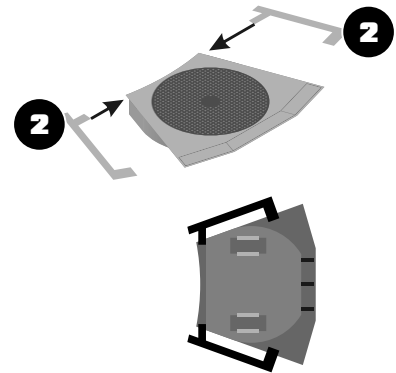
Cut two 1-3/4" (45.5mm) lengths of 1.6mm Albion Alloys square brass tube and mount between the tabs on the underside of the platform. Attach the tubing so that the end is flush with the end of the tabs.



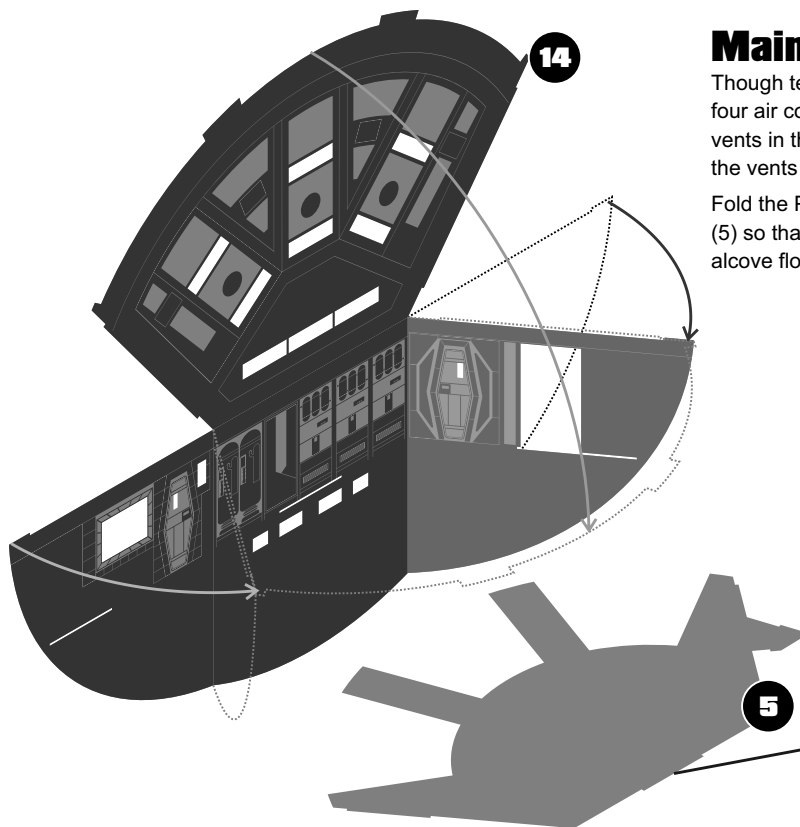
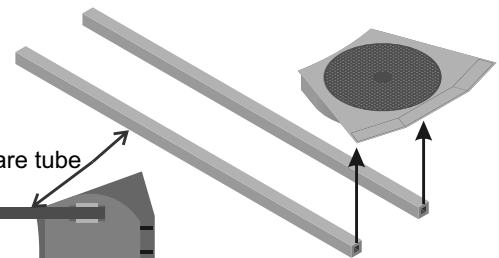
1-3/4" or 3/4" 1.6mm square tube



Static Platform Option



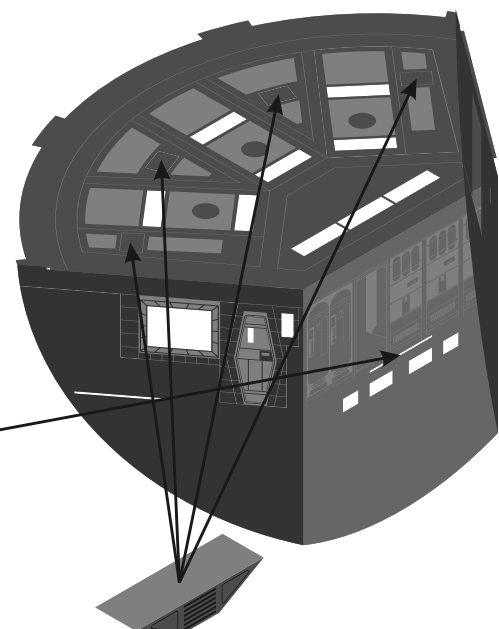
Extended Platform Option



Main Pod Bay Structure

Though technically not part of the structure, it's easier to install the four air conditioning vents before installing the floor. Mount the A/C vents in the four rectangular outlines on the ceiling, aligned so that the vents are perpendicular to the outer circular wall.

Fold the Pod Bay walls and ceiling (14) as shown, then mount floor (5) so that the tabs fit in the slots on the walls – note that the airlock alcove floor sticks out the port side wall.



Mount Detailing Pieces

Space Suit Rack

Fold the feet at the bottom of the space suit rack. Attach the space suits to the rack, then mount the assembly near the back wall, centered in front of the air tanks.

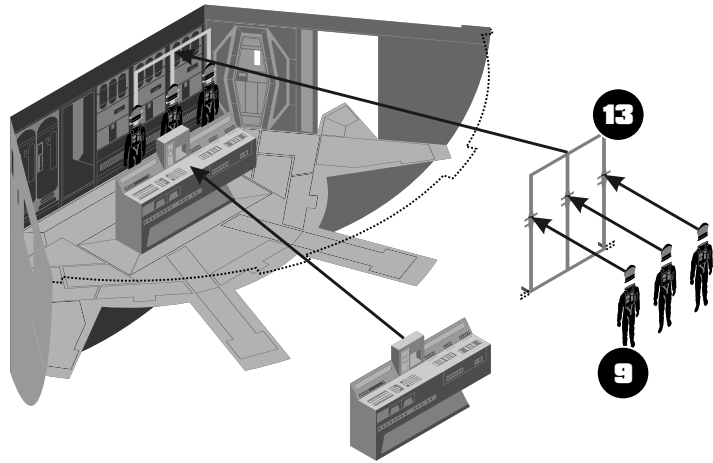
To match the configuration when Frank takes his ill-fated trip to replace the AE-35 unit, leave off the left hand suit and helmet and the center suit.

TIP: Space suit rack mounting pieces (19) are included if you would like to replace the photoetched rack with one made out of this brass rod.

Test Bench

Mount the test bench centered on the large rectangle in the center of the bay.

TIP: If you want to light the bay, carefully drill a small hole through the floor (and a corresponding one on etch part 7) to run wires.

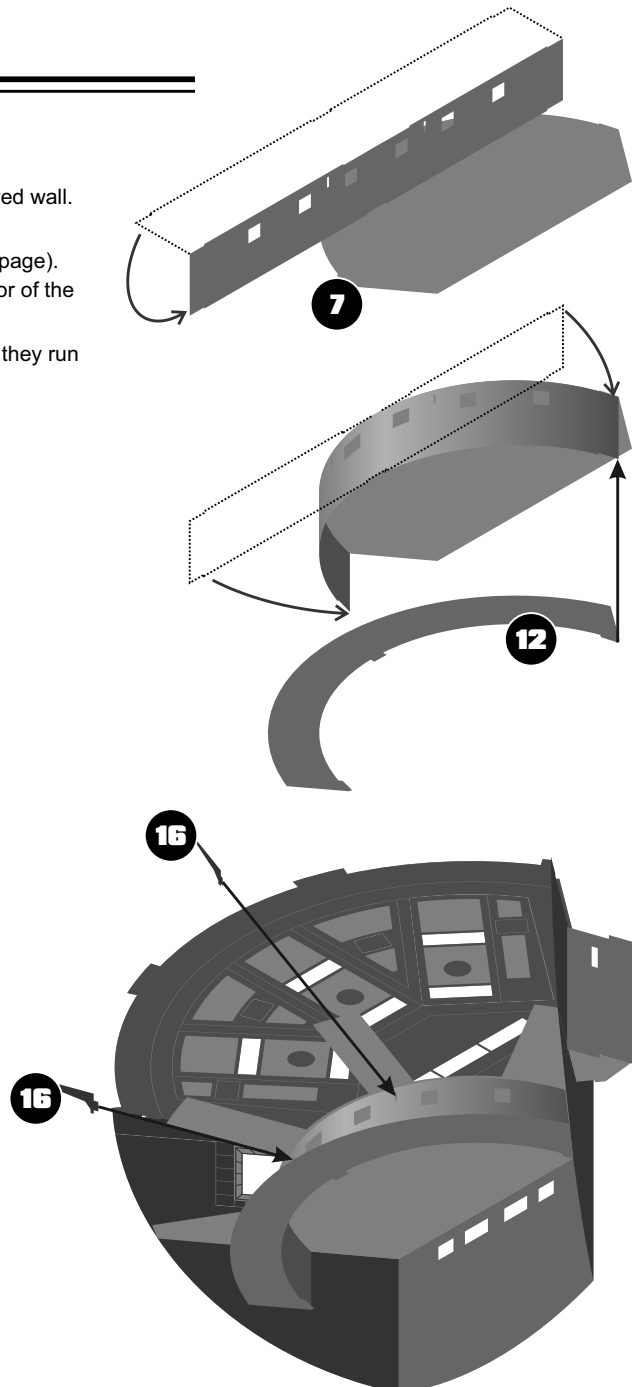
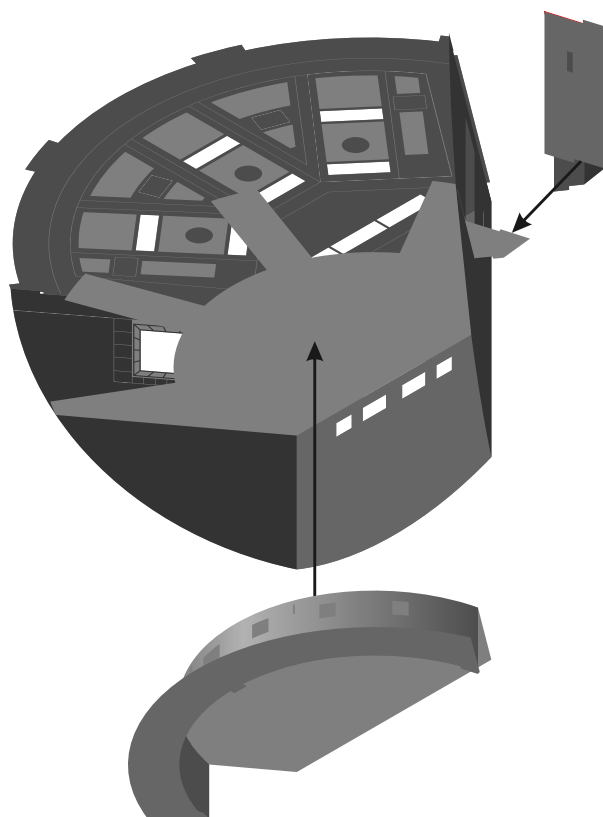


Pod Bay Substructure

Fold down the tab on etch part 7, then roll the “wings” around to form a curved wall. Attach part 12 to part seven.

Mount this assembly as well as the airlock antechamber walls (see the first page). Make sure that the substructure subassembly fits tightly to the walls and floor of the pod bay assembly.

Attach the two gussets (parts 16) into the slots shown and position them so they run down the center of the floor’s extensions.



Mount Pod Platforms

Static Option

Attach the pod platforms's mounting attachments to the underside of the floor so that there is equal space around the platforms.

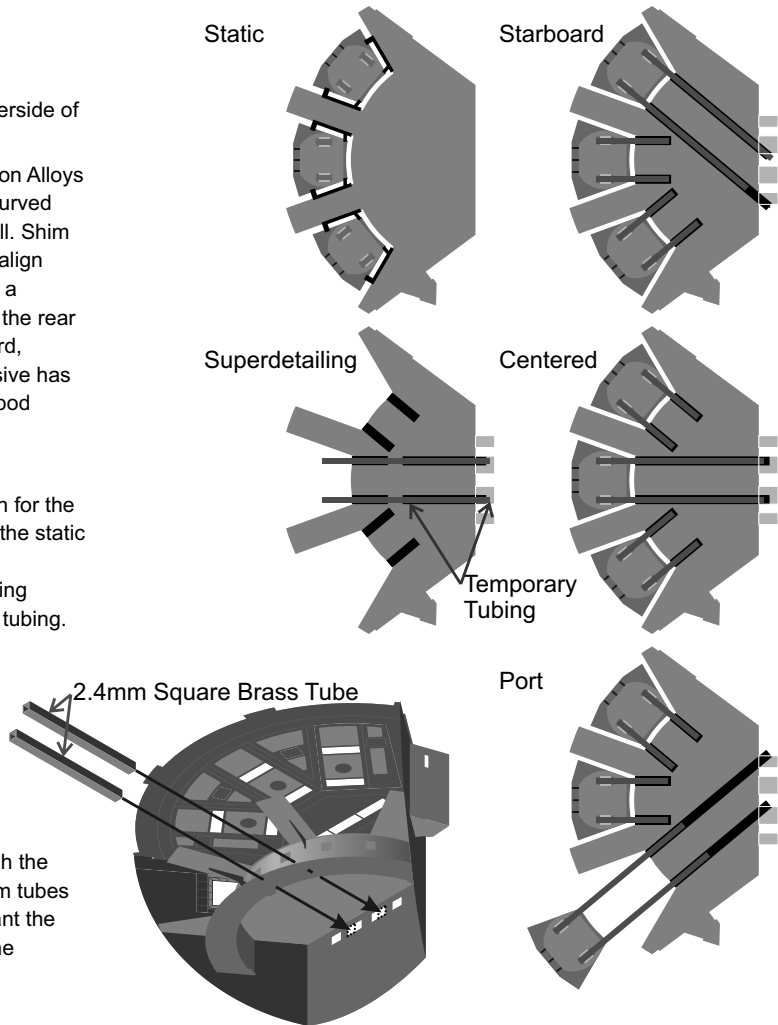
Superdetailing: Cut six 3/8" (9.5mm) lengths of 2.4mm Albion Alloys square brass tube. Insert the tube through the holes in the curved vertical wall of pod base so that the ends are flush to the wall. Shim with 0.067" (1.7mm) of plastic sheet. (1/16" plus 0.005".) To align them properly, slide a length of 1.6mm tube inside them and a section of 2.4mm tube outside that. Align the tubing through the rear wall holes as shown in the far right diagrams for the starboard, centered, and port extended pod platforms. After your adhesive has set, remove the 1.6mm and extra 2.4mm tube and glue the pod platforms in place.

Extended Option

TIP: You can use either the standard or superdetailing option for the two static pod platforms. If using the standard option, install the static platforms AFTER installing the extended one. If using the superdetailing option, install the static platforms' 2.4 mm tubing sections BEFORE attaching the extended platform's 2.4mm tubing.

NOTE: Please note the orientation of the 2.4mm tubing (shown in black) to the holes on the rear wall of the pod bay. Failure to fit the tubing in place according to the far right diagrams will result in pod platforms that can't be attached properly.

Measure lengths of 2.4mm tube to match the position you'll be mounting the extended platform, then insert through the holes in the curved wall, flush to the wall, through the rear wall and secure in place. Slide the pod platform's 1.6mm tubes into the 2.4mm tubes and secure in place (optional if you want the platform to be moveable). (You may want to wait to mount the platform until after the pod bay is in place in the model.)

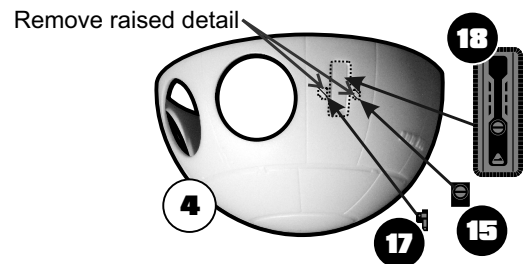


Airlock Door & Controls

Remove the raised detail for the controls on either side of the door and replace with etch parts 15 and 17.

Pre-bend the door (18) using the hull as a template. You may find it easier to do this if you anneal the metal first.

Glue the door piece into place. Note that it does not go all the way down into the kit's door opening.

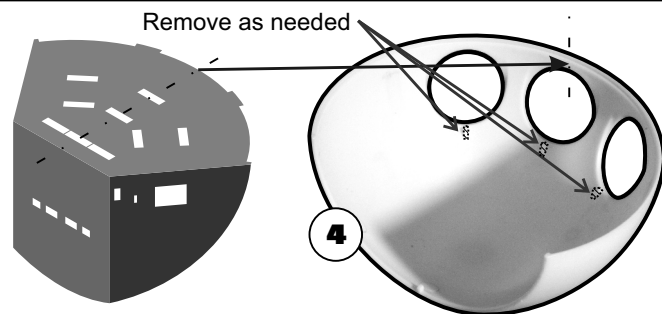


Final Assembly

Mark a centerline on both the top of the Pod Bay Assembly and at the top of the center pod bay door. Remove the alignment tab from the pod bay door that you want open – attach the two remaining doors (not shown).

Align the centerline of the Pod Bay Assembly with the one of the lower sphere half and ensure that the pod bay is level with sphere.

Then glue in place with the adhesive of your choice – we suggest strengthening the joint with epoxy cement.



Attleboro MA 02703 USA
+1 508-431-9800
www.ParaGrafix.biz

Many thanks to Frank Winspur and Dave Metzner of Moebius Models for providing a preproduction copy of the Discovery kit so that we could develop this photoetch set.

Special thanks to Adam Johnson both for his 2001: The Lost Science books, which were a wealth of fantastic references, and for his help detailing items not covered in them.