

NSEA PROTECTOR

Photoetch Set

For Pegasus Kit No. 9004

Instructions V1.0

PGMS
ParaGrafix™
Modeling Systems

INTRODUCTION

Thank you for purchasing this photoetch and decal set for the Pegasus Hobbies NSEA Protector Kit. Most of the skills necessary to use this set are available to the modeler of moderate ability. However, if you are new to using photoetch, you should view our primer on its use at: <http://www.paragrafix.biz/instructions.asp>.

Materials


In addition to the photoetch, you will also need scissors or a knife* to remove individual photoetch pieces from the main fret, a file** to remove material left from cutting, and super glue (aka CA or cyanoacrylate). Additionally, to fold some pieces, you will need a pair of razor blades*** or a specialty tool such as an Etchmate 3C from Mission Models.

* We prefer a #17 Xacto chisel blade.

** Tamiya makes a specialty "diamond" file specifically for working with photoetch.

*** Extreme care must be taken when using razor blades. Risk of serious injury.

Raised Detail

 Where applicable, these instructions note an area where the raised kit detail must be removed. The symbol at left will show you where this needs to happen. This may be done in whatever way you are most comfortable: sanding, filing, chiseling.

Lighting Options

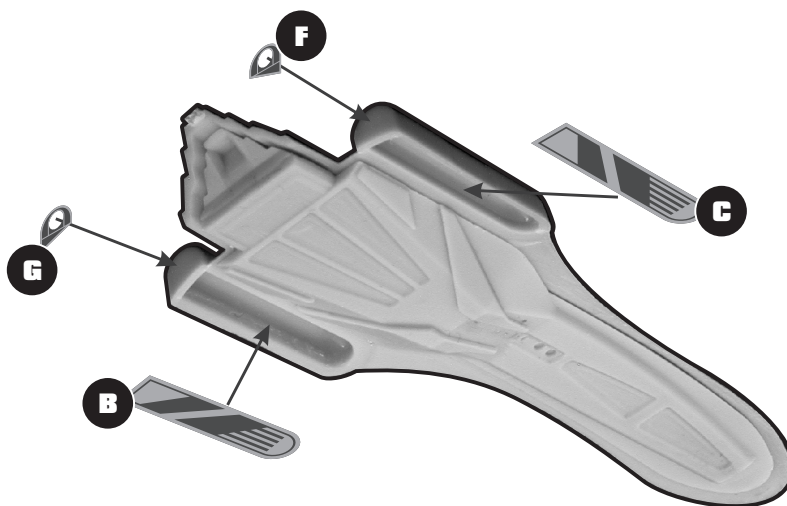
This kit contains through-holes suitable for lighting (no electronics included). Except for parts F and G (command ship), these lightable pieces do not require any special changes to the Protector kit itself.

Installation Order

The installation steps are not in any particular order. You can complete them as you see fit to complement your kit construction order.

Command Ship

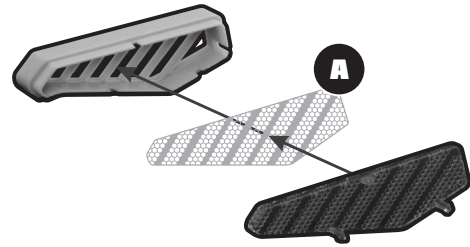
No scribing or other detailing is needed here. Just apply the PE pieces as shown.



Engine Intakes

Assemble both sides identically. For proper fit, you will want to trim the "legs" slightly on the clear piece.


Tip: You can sand down the raised detail on the clear engine inserts for a cleaner look.

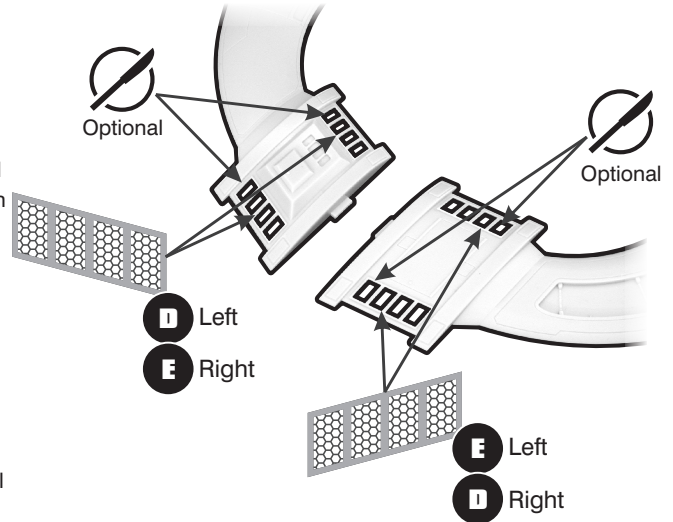


Engine Exhausts


Assemble both sides identically (using the alternate grills as noted).

Tip: Add a slight bend to the photoetched pieces to more closely match the engines' curvature. The "wings" have a good curve to follow.

 **Optional:** Remove the raised exhaust detail. If you leave the detail in place, the photoetch will have a slight seam underneath it which can easily be filled.

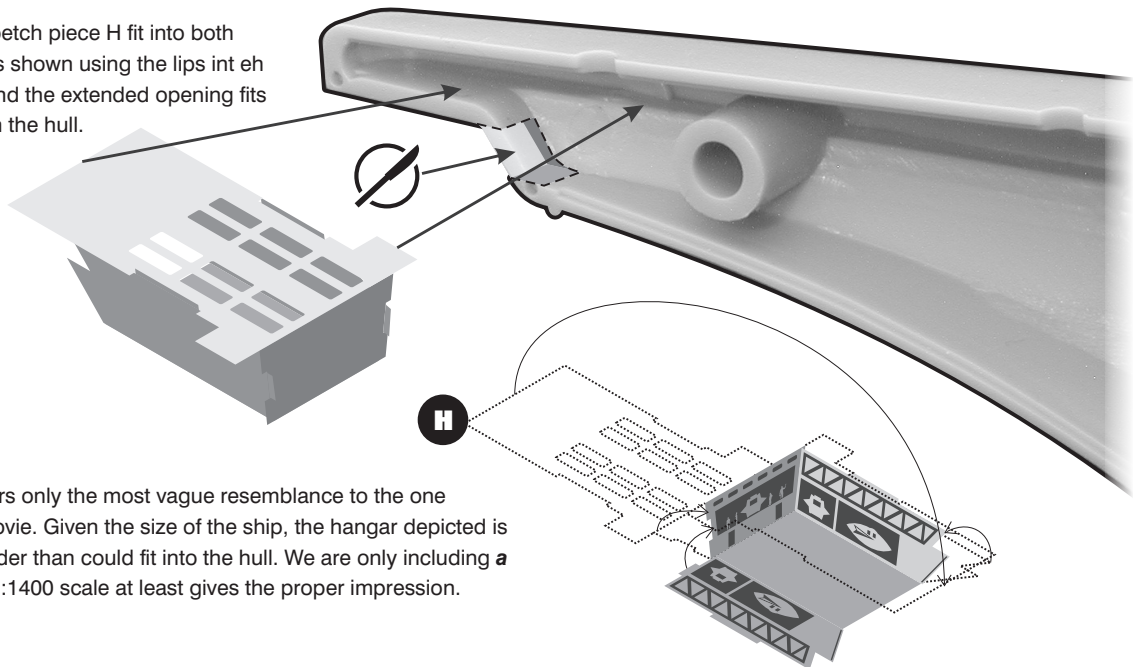


Pod Hangar*

 Cut out the section of both hull pieces as shown. Note that you will likely have to do some test fitting and filing to ensure a proper fit.

Fold the pod hangar as shown, with the mating tabs interlocking on all sections.

The tabs on photoetch piece H fit into both sides of the hull as shown using the lips in the hull for support, and the extended opening fits into the hole cut in the hull.



* This hangar bears only the most vague resemblance to the one depicted in the movie. Given the size of the ship, the hangar depicted is at least 3 times wider than could fit into the hull. We are only including a hangar, which at 1:1400 scale at least gives the proper impression.

PGMS
ParaGrafixTM
Modeling Systems

148 Rocklawn Ave.
Attleboro MA 02703 USA
+1 508-431-9800
www.ParaGrafix.biz

ParaGrafixTM and PGMSTM are TM Paul H. Bodensiek. All Rights Reserved.
ParaGrafix states that our use of the trademarked terms listed below in our product descriptions constitutes fair use and nominative use and is in no way to offer confusion that ParaGrafix and any of the following noted trademark holders are related companies, nor do we state that we are endorsed by these trademark holders. We are an AFTERMARKET company acting in GOOD FAITH in providing high quality products to loyal customers who have already purchased products related to these trademarks. ParaGrafix is actually providing these trademark holders a venue of free advertising and indirectly provides these trademark holders with more sales leads.
Pegasus is TM Pegasus Hobbies
TM & © DreamWorks LLC