

ORIGINAL SERIES GALACTICA PHOTOETCH SET

PARA GRAFIX™

PGX183

ParaGrafix states that our use of the trademarked terms listed below in our product descriptions constitutes fair use and nominative use and is in no way to offer confusion that ParaGrafix and any of the following noted trademark holders are related companies, nor do we state that we are endorsed by these trademark holders. We are an AFTERMARKET company acting in GOOD FAITH in providing high quality products to loyal customers who have already purchased products related to these trademarks. ParaGrafix is actually providing these trademark holders a venue of free advertising and indirectly provide these trademark holders with more sales leads. Battlestar Galactica® is a registered Trademark of Universal City Studios, LLLP LTD LIAB CO. All Rights Reserved.

INTRODUCTION

Thank you for purchasing ParaGrafix's photoetch set for the Original Series Battlestar Galactica kit from Moebius Models. This set can be used by most any modeler of moderate ability. Please note that these parts are fragile – we have included extras of some of the pieces for your convenience.


Materials

In addition to the photoetch, you will also need scissors or a knife* to remove individual pieces from the main fret, a file to remove material left from cutting, and super glue (aka CA or cyanoacrylate). Additionally, to fold some pieces, you will need a pair of razor blades** or a specialty tool such as PhotoFold from ParaGrafix.

* We prefer a #17 Xacto chisel blade.


** Extreme care must be taken when using razor blades. Risk of serious injury.

Key

Kit part (plastic): 

Photoetched part: 

Raised Detail

 Where applicable, these instructions note an area where the raised kit detail must be removed. The symbol at left will show you where this needs to happen. This may be done in whatever way you are most comfortable: sanding, filing, chiseling. Note that in most cases the surface does not need to be perfectly smooth as the photoetched part will replace the "lost" kit detail.

Lighting Options

Unless otherwise noted, you can prep areas for lighting by removing plastic from areas where there are through holes in the photoetch. You can then backlight the photoetch.

Installation Parts Order

The installation steps are not in any particular order. You can complete them as you see fit to complement your kit construction order.

Reference

Check out <http://www.modelermagic.com/?p=4124> for fantastic reference information. Use the QR code at right to save typing.



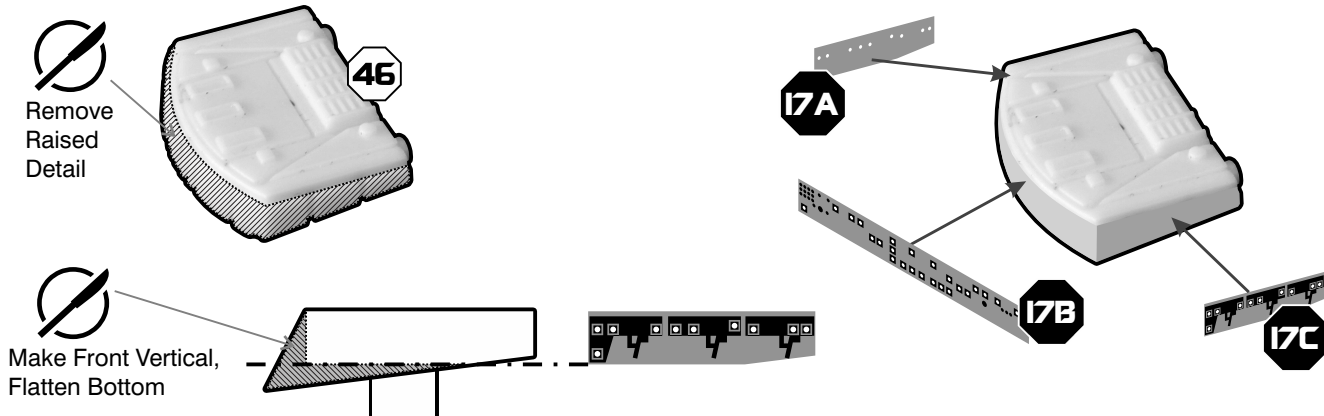
BRIDGE DECK

Reshape Bridge

Remove the raised detail from the front and sides of the bridge, then make the front wall vertical (view is shown exaggerated) and flatten the bottom so that it matches the height of parts 17A and 17C.

Attach Photoetch

Mount etch parts 17A, 17B, and 17C to starboard, front, and port sides of the bridge deck. If you are lighting your Galactica, note the holes provided – these are sized for 0.01" (0.25mm) optic fiber.



BOW

Top

Mount rotary grills 1 over the two round areas on top of the bow section. **TIP:** You might consider filing down the kit details to make them less prominent.

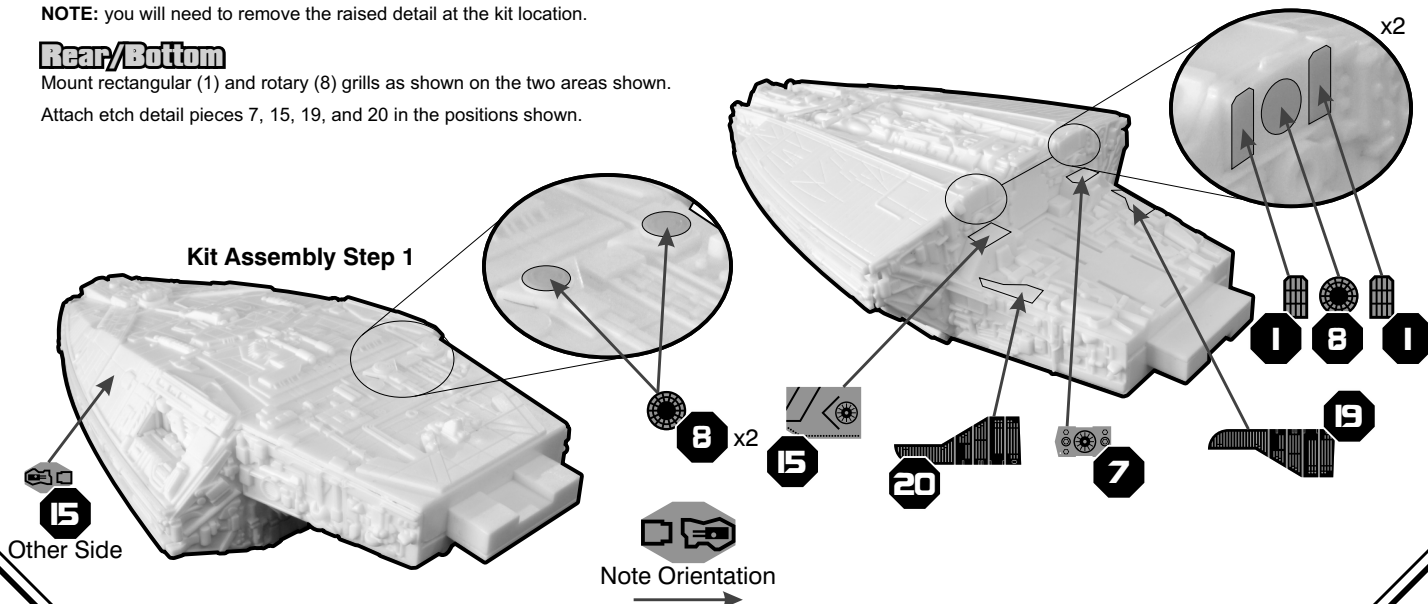
Mount the hexagonal detail (etch part 15) over the same shaped detail on the starboard (right) side of the head – i.e. on the side opposite that shown.

NOTE: you will need to remove the raised detail at the kit location.

Rear/Bottom

Mount rectangular (1) and rotary (8) grills as shown on the two areas shown.

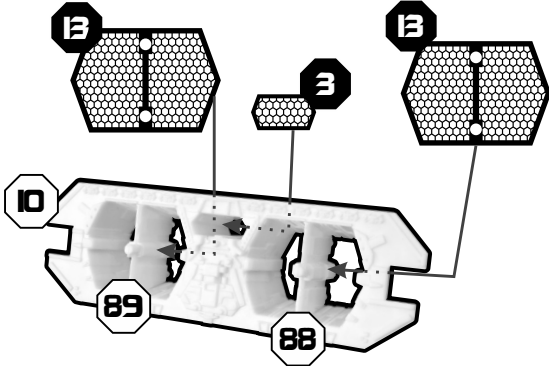
Attach etch detail pieces 7, 15, 19, and 20 in the positions shown.



Engine Grills

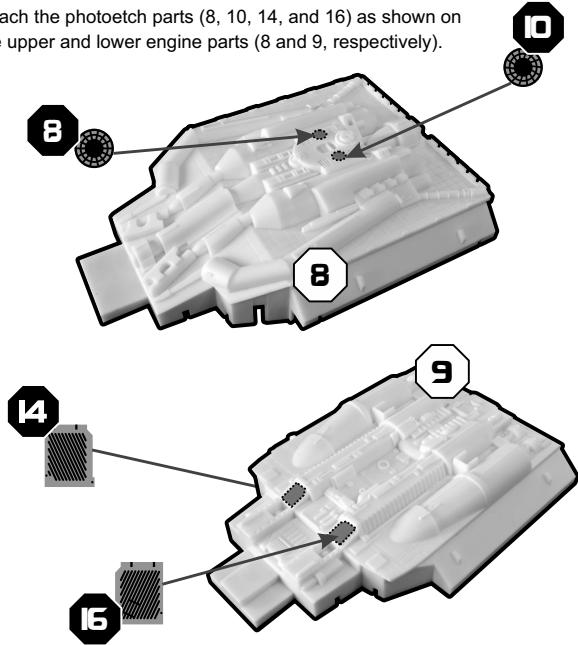
Assemble kit parts 10, 88, and 89 (engine panel and engine vanes) normally, but don't attach part 87. Instead, replace it with etch parts 3 and 13.

TIP: Kit parts 8 and 9 (upper and lower engine sections) have large locator pins located just in front of the engine vanes. If you will be lighting your kit you will want to reduce the shadows by removing the "wing" on the upper pins and thinning down the socket from the lower section.



ENGINE DETAILS

Attach the photoetch parts (8, 10, 14, and 16) as shown on the upper and lower engine parts (8 and 9, respectively).

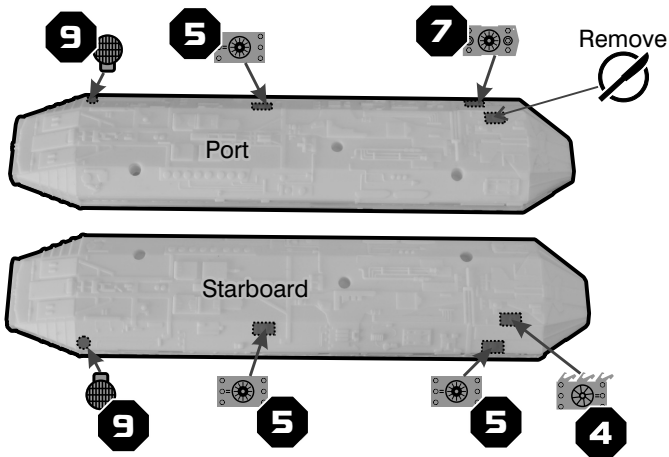


UPPER FLIGHT POD DETAILS

Remove the raised details in the areas shown then attach the replacement photoetch parts.

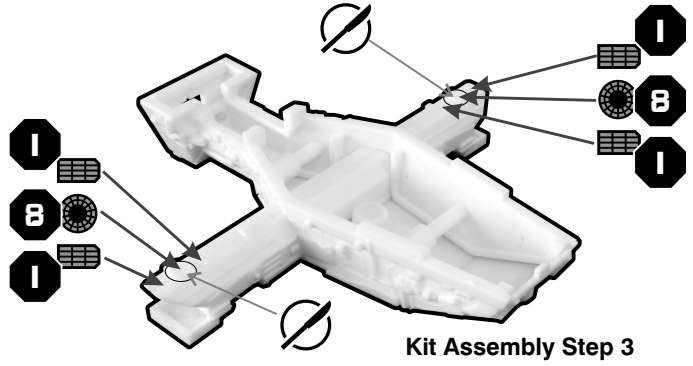
NOTE: There should be no detail part at the upper-front of the port flight pod.

NOTE: Notice the orientation of the photoetch parts in the diagram. This is how they should be attached.



KEEL

Remove the raised detail on each of the keel "wings where shown on right. Attach etch parts four of parts 1 and two parts 8 replacing the kit details.



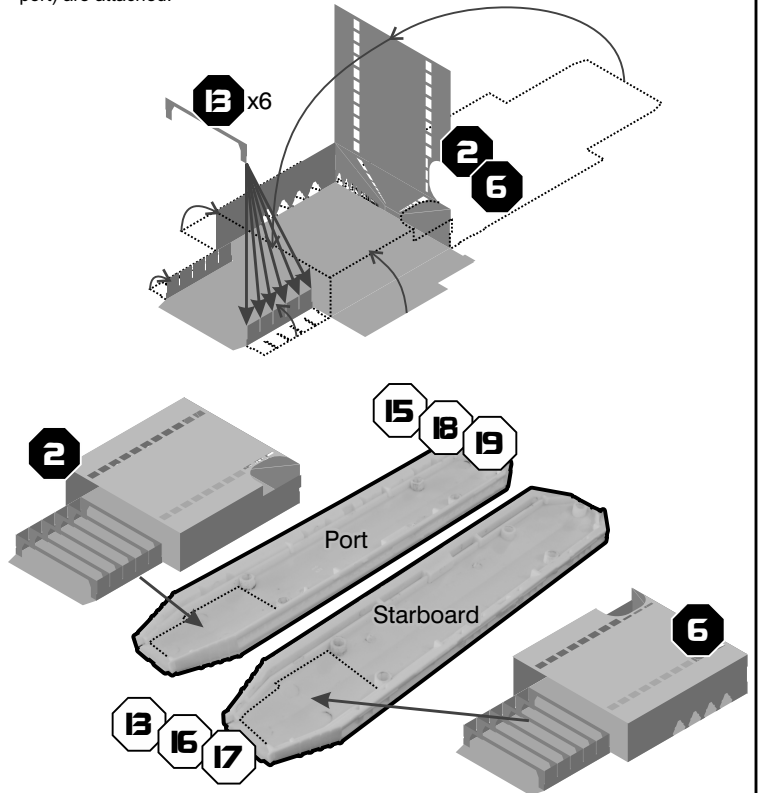
Kit Assembly Step 3

LANDING BAYS

TIP: Paint the landing bays before folding.

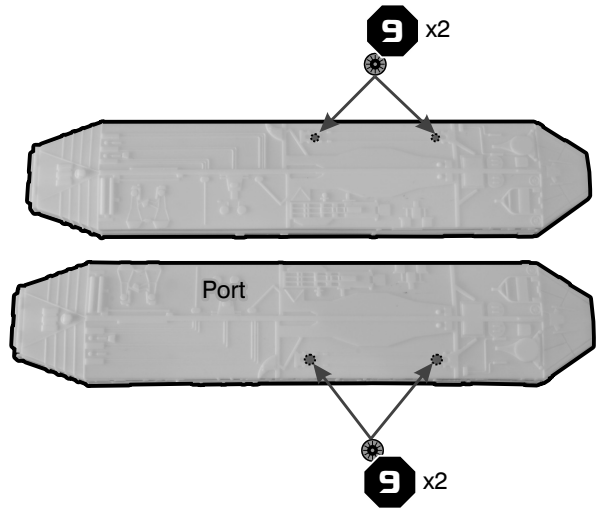
Fold etch parts 2 and 6 as shown and attach the ribs (etch parts 13) to the slots.

Mount the completed landing bays into the pods as shown below. **MAKE SURE** that the correct bay goes into the correct pod or they will be damaged when the roof sections (12 starboard, 14 port) are attached.



LOWER FLIGHT POD DETAILS

Attach the photoetch parts (9) over the raised circular details.



**PARA
GRAFIX™**

148 Rocklawn Ave.
Attleboro MA 02703 USA
+1 508-431-9800
www.ParaGrafix.biz

Thank you to Frank Winspur and Dave Metzner of Moebius Models for making such a great kit, for providing a pre-production copy of the kit, and for their help and encouragement during the development of this add-on set.

Special thanks to Kurt Kuhn of ModelerMagic.com for the fantastic references he provided.