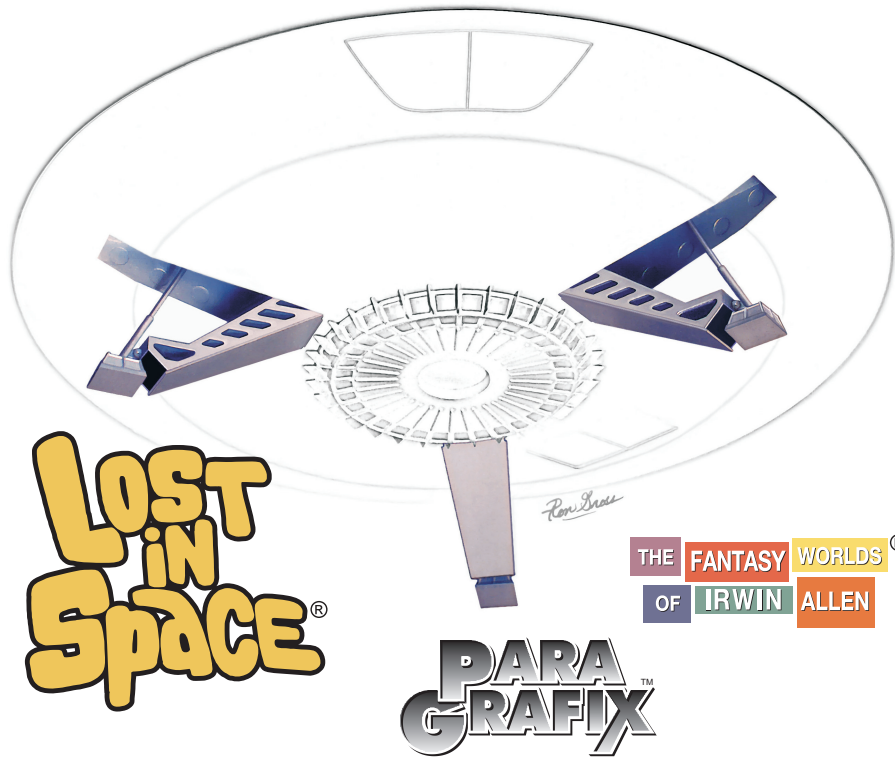


TRIM TO 8" WIDE

# JUPITER 2™ "Hero" Landing Gear



## LOST IN SPACE®

THE FANTASY WORLDS®  
OF IRWIN ALLEN

### PARA GRAFIX™

www.paragrafix.biz  
P/N: PGX120

Instructions V2

Based on decades of research by noted Jupiter 2 expert and artist Ron Gross, this multimedia add-on set duplicates the landing gear used for the 4 foot "hero" miniature in exacting detail.

This set contains cast metal, laser-cut acrylic, and brass rod pieces and is intended for modelers of moderate experience.

For



Kit 913

"Lost in Space"® is © Space Productions, Inc. Licensed by Synthesis Entertainment. All Rights Reserved.  
"The Fantasy Worlds of Irwin Allen"® is a registered trademark of Synthesis Entertainment. All Rights Reserved.  
"Moebius"® is a registered trademark of Moebius Models. All Rights Reserved.  
ParaGrafix™ is a trademark of Paul H. Bodensiek dba ParaGrafix. All Rights Reserved.

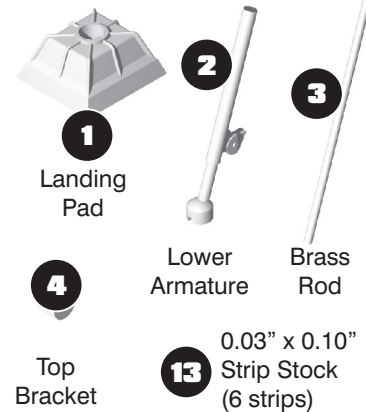
## INTRODUCTION

Thank you for purchasing ParaGrafix's landing gear set for the Moebius Models Jupiter 2 kit. This set will help you replicate the landing gear as seen on the 4' "hero" filming miniature, as opposed to the kit supplied gear which matches the full-sized set.

Please note that these instructions are for the third generation version of this kit, which has sheeted, laser cut modified acrylic leg pieces (with the extra tabs at the top of parts 5) and resin landing pads. In general, these instructions will work with the first and second generation kits.

## What's Included

This set includes 3 copies of each of the following:



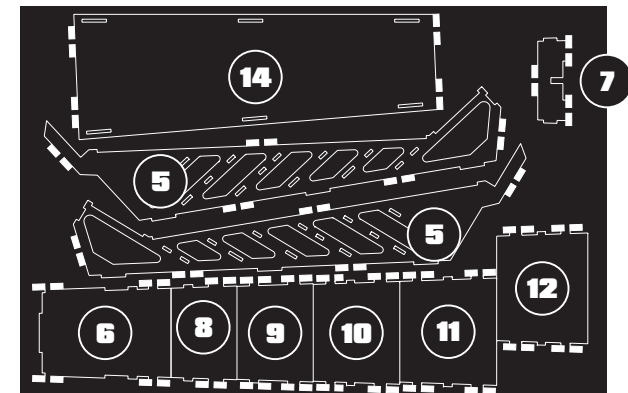
## Required Materials

In addition to the set pieces, you will need standard hobby tools.

Use a solvent adhesive, such as Tenax 7-R, to fit the laser-cut landing legs together, and adhere them to the Jupiter 2. Note that the adhesive must be rated for acrylic and polystyrene ("styrene") – regular tube hobby cement will not work.

Use cyanoacrylate (CA, "super glue") adhesive or epoxy cement to mount the metal parts to the landing legs, and the top bracket to the Jupiter 2.

Laser Cut Sheet



## Assembly & Installation

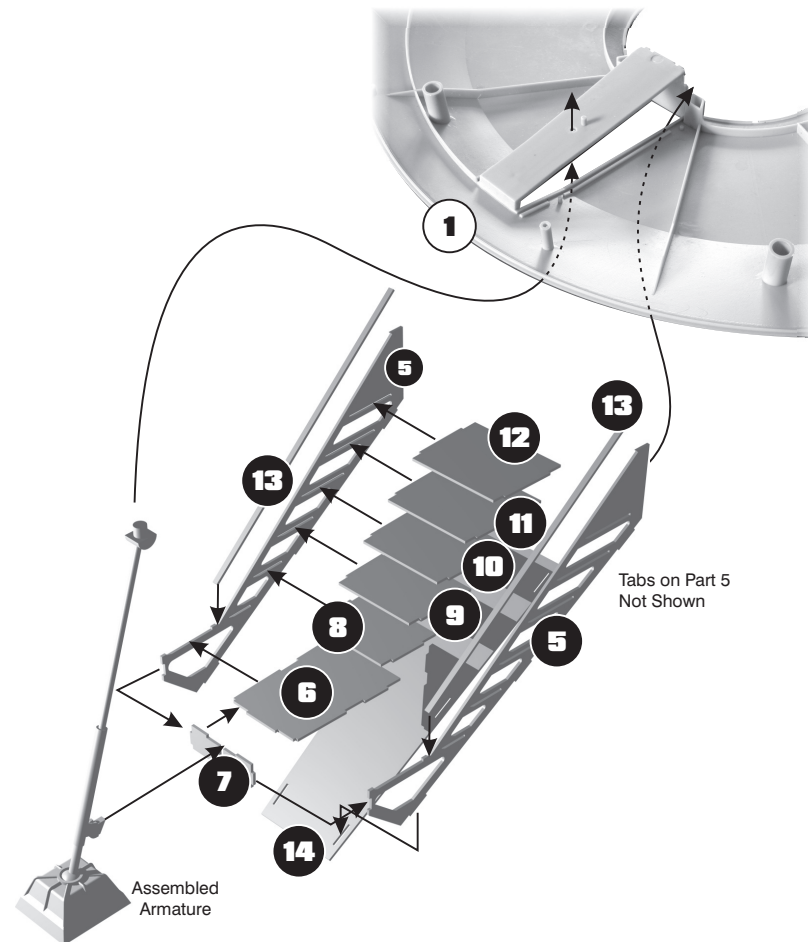
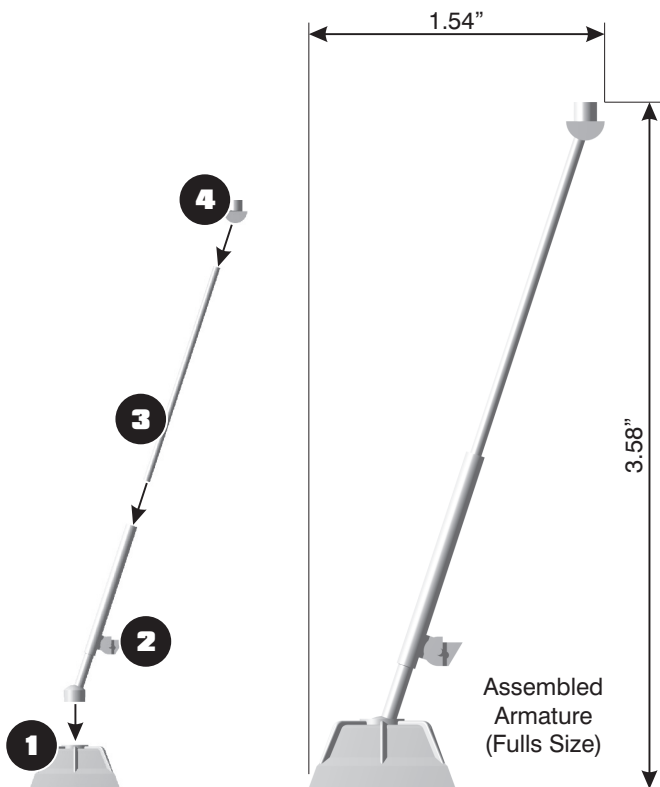
### Repeat Three Times

Please note that the "ladder" portion of the gear is a space frame design - although the individual pieces are quite flexible, the finished unit is amazingly rigid and strong.

Extend the two rear cutouts in the landing gear bay as shown at right. Note that this step should be done before the hull is assembled, but the landing gear itself may be built and installed afterwards. (Gear sidewalls are omitted in these figures for clarity.)

**Important Note:** Remove the protective film before assembling the ladder portion of the gear.

The upper step (12) should fit snugly against the bottom of the access hatchway (kit part #13).



**PARA  
GRAFIX™**

www.paragrafix.biz  
P/N: PGX120

104 County Street, Suite 101  
Attleboro MA 02703 USA  
+1 508-431-9800  
www.ParaGrafix.biz

Thank you to Frank Winspur and Dave Metzner of Moebius Models for providing copies of their test shot to aid in the development of this accessory kit. Thank you to Kevin Burns of Synthesis Entertainment for "green lighting" this project. Special thanks to Ron Gross for proposing this product, his aid in the design and fabrication of this set, and of course his fantastic packaging illustration.