

# TFA FALCON

## For Bandai 1/144 Scale Kit

**PARA  
GRAFIX™**  
PGX200

ParaGrafix states that our use of the trademarked terms listed below in our product descriptions constitutes fair use and nominative use and is in no way to offer confusion that ParaGrafix and any of the following noted trademark holders are related companies, nor do we state that we are endorsed by these trademark holders. We are an AFTERMARKET company acting in GOOD FAITH in providing high quality products to loyal customers who have already purchased products related to these trademarks. ParaGrafix is actually providing these trademark holders a venue of free advertising and indirectly provide these trademark holders with more sales leads.  
© & TM 2015 Lucasfilm LTD. © & TM Bandai

## INTRODUCTION

Thank you for purchasing ParaGrafix's photoetch for the Millennium Falcon kit from Bandai. This set is intended for modelers of moderate experience who are experience with photoetched parts.

Please note that these instructions replace some of the kit's instructions for assembling the hold. It is suggested that you familiarize yourself with all aspects of the assembly before proceeding.

### Materials

In addition to the photoetch, you will also need scissors or a knife\* to remove individual pieces from the main fret, a file to remove material left from cutting, and super glue (aka CA or cyanoacrylate). Additionally, to fold some pieces, you will need a pair of razor blades\*\* or a specialty tool such as PhotoFold from ParaGrafix.

\* We prefer a #17 Xacto chisel blade in combination with a glass cutting board or other, similarly hard cutting surface.

\*\* Extreme care must be taken when using razor blades. Risk of serious injury.

### Installation Parts Order

The installation steps are not in any particular order. You can complete them as you see fit to complement your kit construction order

### Key

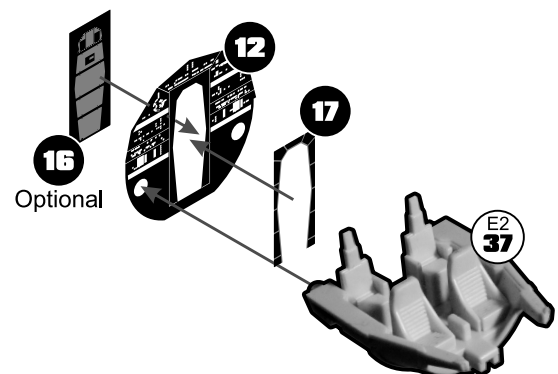
Kit part (plastic): **A1**  
**1**

Photoetched part: **1**

## Cockpit

Attach etch parts 16 and 17 to the back wall, part 12, then mount to the cockpit tub, kit part E2/37.

**NOTE:** If you want to display the cockpit door as open, do not mount etch part 16. No corridor is included in the kit or this photoetch set – the corridor will have to be scratch built is so desired.



## Gun Turret

Repeat twice for each kit turret

### Control Room

Attach etch parts 3 and 10 to part 6, then fold all "petals" in to form the octagonal pyramid.

Attach parts 3 and 7 to 8, and 3 and 13 to 9, then attach to the assembled turret.

Mount the outer ring 14 and the gunner position (F,2) as shown, making sure that the tabs and notches in the etch parts align properly.

### Window Frame (Optional)

If you want to replace the kit's clear plastic window follow this procedure:

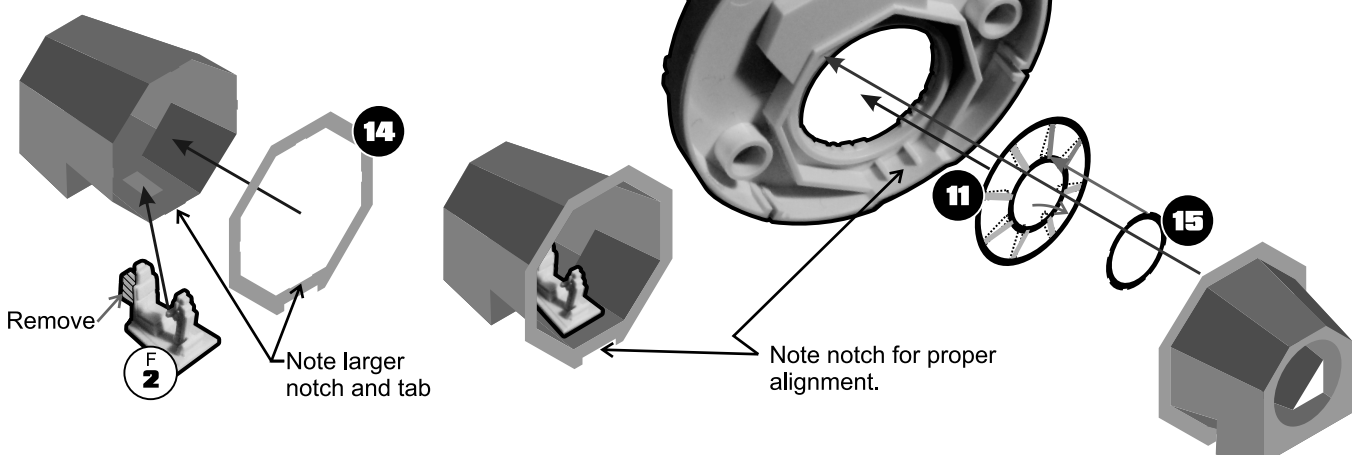
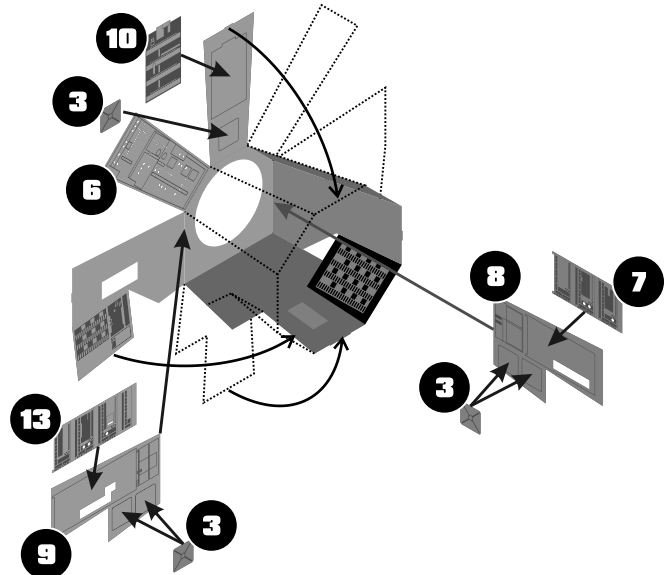
Fold the frames of part 11 slightly and attach to part 15, keying the tabs on 11 into the notches on 15. This can be fiddly work, so be patient.

### Final Assembly

If using the kit window, cut off the mounting tabs and glue in place ... AFTER test fitting the photoetch part.

If using the etch frames, glue into position inside the circular opening using the small detail parts and stops. Note that the frames should point to the corners of the octagon.

Mount the control room assembly into the octagonal opening, paying attention to the keyed notch in the base of the etch assembly.



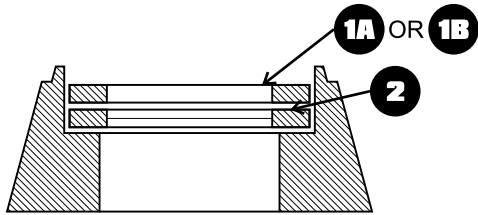
## Engine Baffles

Repeat for All 6 Baffles

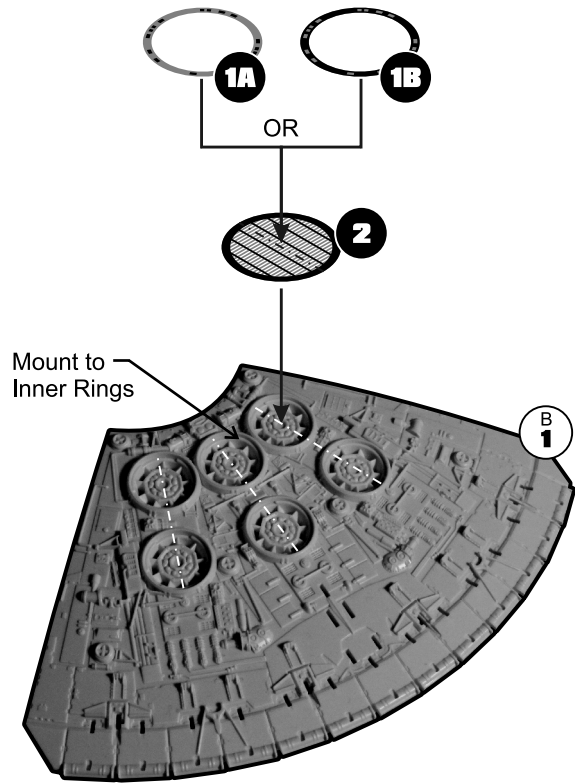
**NOTE:** Etch parts 1A are more accurate, but also more fragile. Parts 1B are more robust.

Mount grills (etch part 2) against the inner rings in each of the six circular holes. Make sure that the larger lines on the grillwork point toward the center of the ship. (Note that dot-dash lines shown on both the kit part and etch part 2.)

Attach either etch parts 1A or 1B over parts 2.



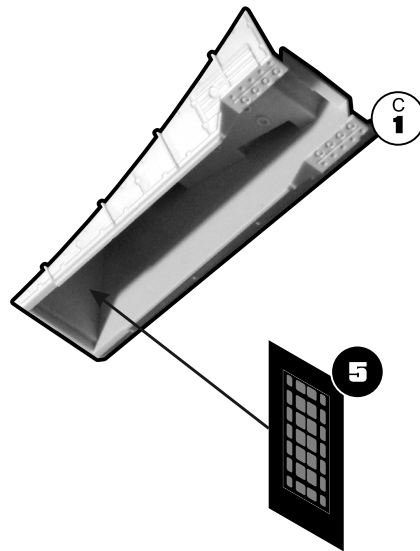
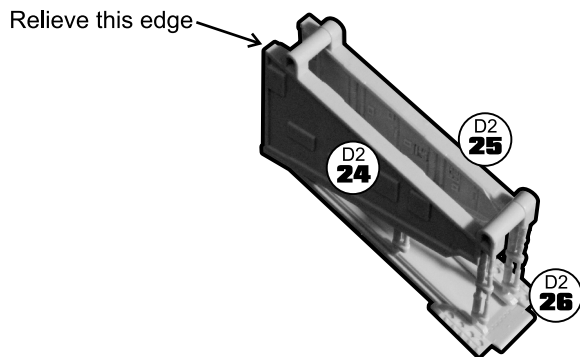
Not to scale.



## Boarding Ramp Door

Mount door (etch part 5) into the boarding ramp area of the lower hull (kit part C1).

**NOTE:** For a proper fit, the inner-most edges of kit parts D2-24, D2-25, and D2-26 will have to be filed a small amount thinner to account for the thickness of the door.



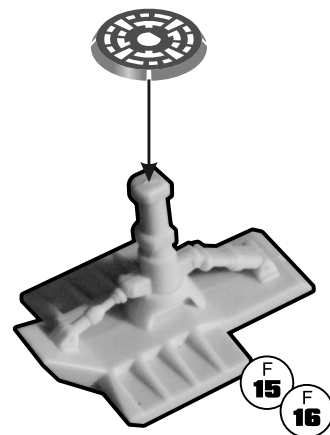
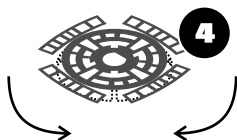
## Landing Gear Trays

Repeat 7 Times

Fold down the 4 ears on each tray (etch part 4) then curve the ears around so that the upper edges meet the circular tray.

Slide over the landing gear (kit parts F-15 and F-16) and secure in place just where the main strut gets wider. Make sure to use the flat portion on the etch part to maintain proper alignment with the kit part.

Complete the 7 landing gear sections according to the kit instructions and install.



**PARA  
GRAFIX™**

104 County Street, Suite 101  
Attleboro MA 02703 USA  
+1 508-431-9800  
www.ParaGrafix.biz